

HYCKES

HYFRIDGE SLIDE

Operating manual

3

EN

Bedienungsanleitung

13

DE

Notice d'utilisation

23

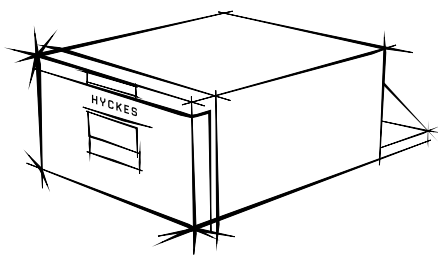
FR

Gebruiksaanwijzing

33

NL

HYFRIDGE SLIDE 20



12/24V compressor refrigerator

© **Hyckes B.V.** The visual appearance of the contents of this manual is protected by copyright and design law. The underlying technical design and the products contained herein may be protected by design, patent or be patent pending. All rights are reserved.



Please read this manual carefully before starting the device. Keep it in a safe place for future reference. If the device is passed on to another person, this manual must be handed over to the user along with it.

Contents

1.	Safety instructions	page 4
2.	Intended use	page 4
3.	Scope of delivery	page 5
4.	Scope of functions	page 5
5.	Installation	page 6
	• Ventilation requirements	
	• Connecting the refrigerator	
6.	Control panel and display elements	page 8
7.	Operation and use	page 8
	• Switching on the refrigerator	
	• App connection	
8.	Advanced settings	page 9
	• Cooling mode	
	• Battery protection mode	
	• Temperature unit setting	
	• Factory reset	
9.	Cleaning and maintenance	page 11
	• Removing the drawer	
	• Cleaning	
	• Defrosting	
	• Storage	
10.	Troubleshooting	page 12
11.	Warranty	page 13
12.	Technical data	page 13
13.	Disposal	page 13

EN

DE

FR

NL



WARNING! Failure to obey these warnings may result in death or serious injuries. Please read and follow the instructions below carefully.

1 Safety instructions

- If the device is visibly damaged, do not operate and contact your supplier.
- Do not expose the device to any rain or water.
- Never place the device near open fire or other heat sources such as gas grills, heaters etc.
- Do not store explosive substances like spray cans with a flammable propellant.
- Do not use the device in closed compartments or areas with none or minimal air flow.
- Ensure that there is a minimum of 50 to 100mm ventilation around the device at all times when in use.
- If the power cable is damaged, it must be replaced to prevent safety hazards
- Only use the device with the original power cable supplied together with this appliance.
- Before every use the voltage specification must be checked corresponding to the used energy supply.
- Never pull out the power cable from the socket only by the cable.
- Only qualified personnel is allowed to repair this device.
- Children aged from 8 years and above and persons with reduced physical, sensory or mental capabilities or lack of experience and knowledge can use this device, if they are supervised or given instructions how to use the device in a safe way and must be aware of the possible hazards involved.
- The device shall not be played with by children.

The insulation of this device contains flammable cyclopentane and requires special disposal procedures. Deliver the device at the end of its life-cycle to an appropriate recycling centre.

2 Intended use

This product is designed to operate on a 12/24V power supply in a vehicle. The refrigerator is suitable for cooling drinks and food. It is intended to be installed in caravans, motorhomes and on boats, in accordance with these instructions.

The manufacturer accepts no liability for any injury or damage to the product resulting from; incorrect assembly, connection, maintenance or use for other purposes than those described in this manual. Please contact your local retailer, or the address listed in this manual, in case of doubts or questions.

All information, specifications and illustrations used in this document reflect the most current available at the time of publication. Without prior notice they can be subject of change.



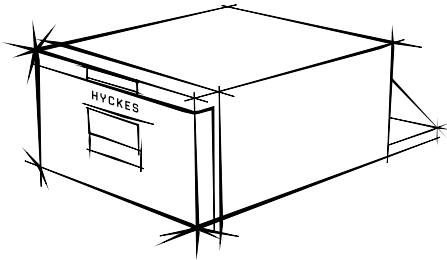
Notice before use! At first use, the device must be placed on a level surface for at least 6 hours, before turning it on.

When the device is being moved, make sure the angle will not be more than 30 degrees for a maximum of 30 seconds. If the device is running, make sure the angle will not exceed 5 degrees.

Disconnect the device from the power supply after every use, before cleaning it or carrying out maintenance.

During operation, do not leave the device opened for long periods. This prevents temperature drops, optimises cooling performance and reduces power consumption.

3 Scope of delivery



- Refrigerator

4 Scope of functions

- Variable speed compressor combines maximum cooling performance and less energy consumption compared to traditional compressors (up to 35%).
- High end insulation ensures efficient and fast cooling and freezing up to -20°C at all circumstances
- Removable retractable drawer gives optimal access to the cooling compartment.
- Control panel with LED display.
- Integrated Bluetooth receiver for app control via mobile devices.
- Eco function for power saving or night mode to reduce noise.
- Intelligent battery protection system to prevent draining the vehicle battery.
- Removable dividers bringing flexible drawer layout.

EN

DE

FR

NL

5 Installation



Installation in vehicles must comply to the technical requirements and relevant regulations of the respective country of use. Only trained and certified experts are permitted to install and repair this device. Please contact your local retailer for further questions or inquiries.

This refrigerator can be built-in using the optional mounting frame, sold as a separate accessory. When the device is installed in a permanent location, please follow the guidelines below.



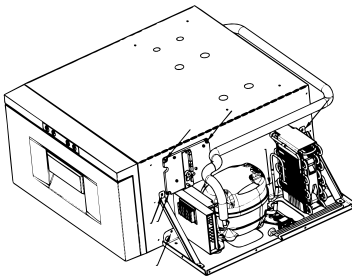
If the compressor compartment is covered, remove the cover in order to optimise airflow.

Moveable compressor

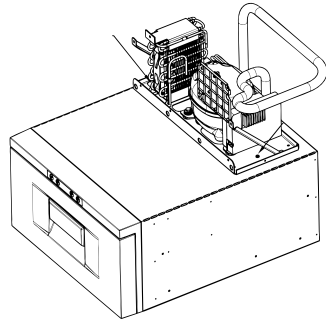
This refrigerator is equipped with a moveable compressor. The compressor can be moved in specific installation situations to save space.



The compressor can be moved within 150cm of the refrigerator drawer. As standard, the compressor can be mounted in three different positions onto the refrigerator. Use the pre-drilled holes on the top, left or right side of the drawer body.



Side installation



Top installation

To change the compressor position, follow the procedure below:

- Remove the rear cover of the compressor.
- Unscrew the compressor unit from the drawer body
- Reposition the compressor unit (left, right or top side)
- Mount the compressor unit to the drawer body by tightening the screws into the pre drilled holes.

Ventilation requirements

Make sure that the warm air produced by the refrigerator, can easily flow away from the compartment. Leave a minimum of 50mm space behind or above the device, leading to a ventilation slot for natural air circulation. Keep objects away from the housing and make sure ventilation slots are clear at all times.

Connecting the refrigerator

Use the correct cable cross section, following the table below, to avoid voltage loss and power drops. Always keep cable route as short as possible, without interruption of additional switches, plugs or power strips.

	Cable length (m)		
	< 2m	2 - 5m	> 5m
Cable cross section (mm ²) - 12V	6mm ²	10mm ²	16mm ²
Cable cross section (mm ²) - 24V	4mm ²	6mm ²	10mm ²

Before connection, always check whether the provided battery voltage matches the required operating voltage. The red cable needs to be connected to the positive terminal of the battery (+), the black cable to the negative terminal of the battery (-).



The refrigerator needs to be fuse-protected at 15A when connected to a 12V power supply, or 7,5A connected to a 24V power supply.

EN

DE

FR

NL

6 Control panel and display elements

Below an explanation of the control panel layout and possible display options.



7 Operation and use

Switching on the refrigerator

- Press the power button to switch on the refrigerator. Press the power button again to switch off the refrigerator.
- The screen will power up and shows the actual cooling compartment temperature and current settings.
- Use the + or - buttons to set the required temperature. After three seconds the temperature will show the actual cooling compartment temperature again. Temperature can be set in between values from -20 to 20°C (-4 to 68°F).

App connection

The refrigerator can be controlled using the Hykes app, which can be installed on a mobile device such as a phone or tablet. The app will give information of the current status while functions and settings can be changed or controlled. Please follow the steps below to connect the refrigerator with your mobile device.

- Download the Hykes app from the Apple App Store or Google Play.
- Start the app on your mobile phone and follow the instructions on the screen.
- Once detected, the refrigerator will show 'APP' on the display.
- Confirm pairing by short pressing the settings button on the refrigerator.
- The refrigerator is now connected for mobile use.

8 Advanced Settings

Cooling mode

This refrigerator is equipped with variable speed compressor technology. The electronics will automatically vary the compressor speed depending on the conditions to reach and maintain the set temperature.

High mode is the default setting for automatic and quick cooling.

Eco mode will lower the compressor speed and saves up to 35% power consumption. This mode can also be used at night to reduce unwanted noises.

This feature can be controlled via the app, or changed on the refrigerator using the control panel:

- Short press the settings button. The current cooling mode setting will start to flash.
- Short press the settings button again to switch between modes (*High=HH, Eco=EE*).
- After three seconds the selected cooling mode will be set and becomes solid again on the display.

Battery protection mode

The intelligent battery protection system will prevent the refrigerator to drain the vehicle battery.

If the supply voltage falls below a set level, the refrigerator will switch off. Once the voltage reaches the restart voltage level, the refrigerator will automatically switch back on.

The battery protection mode can be set to three levels, following the table below:

	12V		24V	
	OFF	ON	OFF	ON
Low	8,5V	10,9V	21,3V	22,7V
Medium	10,1V	11,4V	22,3V	23,7V
High	11,1V	12,4V	24,3V	25,7V



High level should be set when the refrigerator is connected to a vehicle battery. Medium or Low level should be set when the refrigerator is connected to a portable or backup battery.

This feature can be controlled via the app, or changed on the refrigerator using the control panel:

- Long press the settings button for three seconds. The current setting will start to flash.
- Short press the settings button again to switch between modes.
- After three seconds the selected battery protection mode will be set and becomes solid again on the display.



Low



Medium



High

Change temperature unit setting

The displayed temperature unit can be changed between °Celsius and °Fahrenheit using this setting. This affects both the displayed unit in the app and on the refrigerator.

This feature can be controlled via the app, or changed on the refrigerator using the control panel:

- Switch off the refrigerator.
- Long press the settings button for five seconds until the display shows 'E1'.
- Short press the settings button until the display shows 'E5'.
- Use the + and – buttons to switch between °C and °F.
- The selected temperature unit will start flashing.
- After three seconds the display turns off.
- The selected temperature unit is stored.

Factory reset

In case of any irregularities or recovery of the factory default settings, follow the procedure below:

- Switch off the refrigerator.
- Long press the settings button for five seconds until the display shows 'E1'.
- Long press + and – buttons at the same time together for three seconds.
- A confirmation tone sounds for a successful factory reset.

9 Cleaning and maintenance

Removing the drawer

The drawer can be removed from the refrigerator.

- Fully pull out the drawer.
- Push down the left spring hook and pull up the right spring hook on the metal guide rails at the same time.
- Remove the drawer upwards by pulling it slightly.
- Align the guide rails on both sides and push the drawer back into the refrigerator, when reinstalling the drawer.

Cleaning

Occasionally clean the refrigerator with a damp cloth and leave it to dry.

- Make sure the refrigerator is disconnected from the power supply before cleaning to avoid electric shocks.
- Do not soak the device in water or clean it under running water.
- Do not use hard objects or abrasive cleaning agents as these can damage the device.
- Periodically check the air inlet and outlet vents for dust or dirt blocking the airflow.

Defrosting

The refrigerator must be defrosted from time to time. Due to humidity, frost can settle on the evaporator and will reduce the cooling capacity of the device.

- Make sure the refrigerator is disconnected from the power supply before cleaning to avoid electric shocks.
- Never use sharp objects to defrost the device as they can damage the refrigerant circuit.
- Do not use mechanical objects or other means speeding up the defrosting process as they can damage the device.
- Remove the melt water (by removing the drain plug if applicable)
- Clean with a damp cloth and leave it to dry.

Storage

When the device is left unused for a longer period of time:

- Disconnect the power cable and make sure the device is switched off.
- Leave the device for some time to defrost.
- Clean and dry the device.
- To prevent moulds and odours developing within the cooling compartment, take off the lid or leave it opened.

10 Troubleshooting

When there are issues with the refrigerator during use, please refer to the troubleshooting list below. If this does not resolve the issues, please contact a local retailer or visit www.hyckes.com.

Issue	Possible cause or suggestion
The device does not function.	Check if the power cable and plugs are connected correct. The power supply gives no voltage, try another power outlet or socket. A fuse has been blown, please check and replace the fuse.
The device cannot be controlled by app.	Restart the app on your mobile device, or (re)connect Bluetooth. See paragraph 'app connection'.
There is a bubbling or sizzling sound coming from the cooling compartment.	This is a normal phenomenon, caused by the flow of refrigerant.
The compressor is slightly noisy when starting.	This is a normal phenomenon, the sound will reduce after some time running.
A fault code is shown on the display.	Please check the table below.

In case the display of the refrigerator shows a fault code (Fx), the following table explains the meaning of this fault code and a possible cause and suggestion to resolve this fault.

Fault code	Possible cause	Suggestion
F1	Low input voltage	Check supply battery power, or change battery protection mode to medium or low.
F2	Cooling fan over temperature	Turn off the device for 5 minutes, then restart. Contact an authorised repair centre for service if the problem persists.
F3	Compressor started too frequently	Turn off the device for 5 minutes, then restart. Contact an authorised repair centre for service if the problem persists.
F4	Compressor start fail	Turn off the device for 5 minutes, then restart. Contact an authorised repair centre for service if the problem persists.
F5	Compressor over temperature	Turn off the device for 5 minutes, then restart. Contact an authorised repair centre for service if the problem persists.
F6	No parameter can be detected	Turn off the device for 5 minutes, then restart. Contact an authorised repair centre for service if the problem persists.
F7 or F8	Temperature sensor defect	Inspection required. Contact an authorised repair centre for service.

11 Warranty

The statutory warranty period applies, if the product is used in accordance to the instructions and for the purpose for which it was created. Please contact a local retailer, or the address listed in this manual, if the product is defective.

Please include the original purchase receipt and reason for the claim or description of the fault.

12 Technical data

In the table below all technical data of the HyFridge can be found.

Model	HyFridge Slide 20
Rated voltage	12V/24V
Rated power	60W
Capacity	20,0L
Noise	< 45 dB
Temperature range	-20~+20 °C / -4~+68 °F
Climate category	T/ST/N/SN
Dimensions (HxWxD)	250 x 440 x 698mm
Net weight	17,4kg

13 Disposal

This product should be dismantled in accordance with the applicable disposal regulations, following the European Directive (2012/19/EU) to minimize its impact on the environment. The materials used in this appliance can be recycled, this will contribute to the protection of our environment. Please contact your local retailer or authorities for further information regarding the point of recollection.

Declaration of conformity

This product complies with the requirements and other relevant regulations listed in the European directive for electromagnetic compatibility (2014/30/EU) and low voltage directive (2014/35/EU). Please contact the address listed in this manual if you wish a declaration of conformity for this product.

EN

DE

FR

NL



Bitte lesen Sie diese Anleitung vor der Inbetriebnahme sorgfältig durch und bewahren Sie sie auf. Geben Sie sie im Falle einer Weitergabe des Kühlgerätes an den Nutzer weiter.

Inhalt

1.	Sicherheitshinweise	page 16
2.	Bestimmungsgemäßer Gebrauch	page 16
3.	Lieferumfang	page 17
4.	Funktionsbeschreibung	page 17
5.	Installation	page 18
	• Anforderungen an die Belüftung	
	• Kühlschrank anschließen	
6.	Bedien- und Anzeigeelemente	page 20
7.	Bedienung und verwendung	page 20
	• Kühlschrank verwenden	
	• App Steuerung	
8.	Erweiterte Einstellungen	page 21
	• Kühlmodus	
	• Batterieschutzmodus	
	• Einstellung der Temperatureinheit	
	• Werkseinstellungen zurücksetzen	
9.	Reinigung und Pflege	Seite 23
	• Entfernen der Schublade	
	• Reinigung	
	• Abtauen	
	• Lagerung	
10.	Störungsbeseitigung	Seite 24
11.	Gewährleistung	Seite 25
12.	Technische Daten	Seite 25
13.	Entsorgung	Seite 25

EN

DE

FR

NL



WARNUNG! Die Nichtbeachtung dieser Warnungen kann zum Tod oder zu schweren Verletzungen führen. Bitte lesen und befolgen Sie die nachstehenden Anweisungen sorgfältig.

1 Sicherheitshinweise

- Wenn das Gerät sichtbare Beschädigungen aufweist, dürfen Sie es nicht in betrieb nehmen.
- Schützen Sie das Gerät vor Regen und Feuchtigkeit.
- Stellen Sie das Gerät niemals in die Nähe von offenem Feuer oder anderen Wärmequellen wie Gasgrills, Heizungen etc.
- Lagern Sie keine explosionsfähigen Stoffe wie Sprühdosen mit brennbarem Treibgas ins Gerät.
- Verwenden Sie das Gerät nicht in geschlossenen Räumen oder Bereichen mit keinem oder minimalem Luftstrom.
- Stellen Sie sicher, dass während des Gebrauchs, die Belüftung auf allen vier Seiten des Geräts mindestens 50 bis 100 mm beträgt.
- Wenn das Anschlusskabel dieses Kühlgerätes beschädigt ist, muss es ersetzt werden, um Gefährdungen zu vermeiden.
- Verwenden Sie das Gerät nur mit dem mitgelieferten Original Anschlusskabel.
- Vergleichen Sie, vor jedem Gebrauch, die Spannungsangabe auf dem Typenschild mit der vorhandenen Energieversorgung.
- Ziehen Sie den Stecker niemals nur am Anschlusskabel aus der Steckdose.
- Reparaturen an diesem Gerät dürfen nur von Fachkräften durchgeführt werden.
- Kinder ab 8 Jahren und Personen mit eingeschränkten körperlichen, sensorischen oder geistigen Fähigkeiten oder Mangel an Erfahrung und Wissen können dieses Gerät verwenden, wenn sie beaufsichtigt werden oder Anweisungen erhalten haben zur sicheren Benutzung des Geräts, und sich die daraus resultierenden Gefahren verstehen.
- Kinder dürfen nicht mit dem Gerät spielen.

Die Isolierung des Kühlgeräts enthält brennbares Zyklopentan und erfordert ein besonderes Entsorgungsverfahren. Geben Sie das Kühlgerät am Ende seiner Lebensdauer einer ordnungsgemäßen Entsorgung zu.

2 Bestimmungsgemäßer Gebrauch

Dieses Produkt ist geeignet für den Einsatz in Fahrzeugen, über einen 12/24V Anschluss. Die Kühlschränke eignen sich zum Kühlen von Getränken und Speisen, für den Einsatz in Wohnwagen, Wohnmobile und auf Booten. Das Gerät ist nur für den angegebenen Verwendungszweck und die Anwendung gemäß dieser Anleitung vorgesehen.

Der Hersteller übernimmt keine Haftung für Verletzungen oder Schäden am Produkt, die durch folgendes resultieren; falsche Montage oder Anschluss, Wartung oder Verwendung für andere als die in diesem Anleitung beschriebenen Zwecke.

Alle in diesem Dokument verwendeten Informationen, Spezifikationen und Abbildungen entsprechen dem zum Zeitpunkt der Veröffentlichung aktuellsten Stand. Ohne Vorankündigung können sie geändert werden.



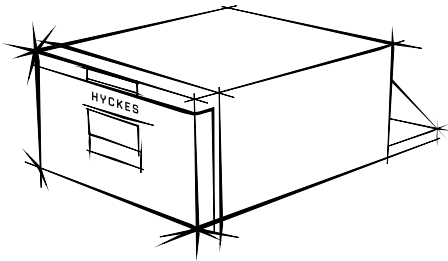
Vor dem ersten Gebrauch beachten! Das Gerät soll mindestens 6 Stunden auf einer ebenen Fläche stehen, bevor es eingeschaltet wird.

Achten Sie beim Bewegen des Geräts darauf, dass der Winkel für maximal 30 Sekunden nicht mehr als 30 Grad beträgt. Stellen Sie sich sicher während des Betriebs, der Winkel soll nicht mehr als 5 Grad betragen.

Trennen Sie das Gerät nach Gebrauch vom Stromanschluss, vorher Wartung oder Reinigung zu pflegen.

Lassen Sie das Gerät während des Betriebs nicht für längere Zeit geöffnet. Dies verhindert Temperaturabfälle, optimiert die Kühlleistung und reduziert den Stromverbrauch.

3 Lieferumfang



- Kühlschrank

4 Funktionsbeschreibung

- Kompressor mit variabler Drehzahl kombiniert maximale Kühlleistung mit weniger Energieverbrauch im Vergleich zu herkömmlichen Kompressoren (bis zu 35 %).
- Hochwertige Isolierung sorgt unter allen Umständen für effizientes und schnelles Kühlen und Gefrieren bis zum -20°C .
- Herausnehmbare, einziehbare Schublade bietet optimalen Zugriff auf das Kühlfach.
- Bedienfeld mit LED-Display.
- Integrierter Bluetooth-Empfänger zur App-Steuerung über Mobilgeräte.
- Eco-Funktion zum Energiesparen oder Nachtmodus zur Geräuschreduzierung.
- Intelligentes Batterieschutzsystem, um ein Entladen der Fahrzeugbatterie zu verhindern.
- Abnehmbare Trennwände für flexibles Schubladenlayout.

EN

DE

FR

NL

5 Installation



Der Einbau in Fahrzeuge soll den technischen Anforderungen und einschlägigen Vorschriften des jeweiligen Einsatzlandes entsprechen. Nur geschultes und zertifiziertes Fachpersonal darf dieses Gerät installieren und reparieren. Wenden Sie sich bei weiteren Fragen oder Anfragen bitte an Ihren Händler vor Ort.

Dieser Kühlschrank kann mit dem optionalen Montagerahmen eingebaut werden, der als separates Zubehör erhältlich ist. Wenn das Gerät in einer Einbaunische installiert wird, befolgen Sie bitte die nachstehenden Richtlinien.



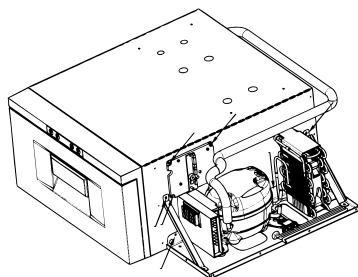
Wenn das Kompressorfach abgedeckt ist, entfernen Sie die Abdeckung, um den Luftstrom zu optimieren.

Verschiebbarer Kompressor

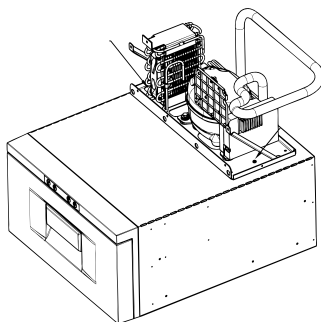
Dieser Kühlschrank ist mit einem verschiebbarer Kompressor ausgestattet. Der Kompressor kann in bestimmten Einbausituationen verschoben werden, um Platz zu sparen.



Der Kompressor kann innerhalb eines Abstands von 150 cm von der Kühlschrank verschoben werden. Standardmäßig kann der Kompressor in drei verschiedenen Positionen am Kühlschrank montiert werden. Verwenden Sie die vorgebohrten Löcher an der oberen, linken oder rechten Seite des Körpers.



Seitlicher Einbau



Einbau am Obenseite

Um die Kompressorposition zu ändern, gehen Sie wie folgt vor:

- Entfernen Sie die hintere Abdeckung des Kompressors.
- Schrauben Sie die Kompressoreinheit vom Körper ab.
- Positionieren Sie den Kompressor neu am Körper (links, rechts oder oben)
- Befestigen Sie den Kompressor am Körper, indem Sie die Schrauben in den vorgebohrten Löchern festziehen.

Anforderungen an die Belüftung

Stellen Sie sicher, dass die vom Kühlschrank erzeugte warme Luft leicht aus dem Fach abströmen kann. Lassen Sie hinter oder über dem Gerät mindestens 50 mm Freiraum, der zu einem Lüftungsschlitz für eine natürliche Luftzirkulation führt. Halten Sie Gegenstände vom Gehäuse fern und sorgen Sie dafür, dass die Lüftungsschlitze jederzeit frei sind.

Kühlschrank anschließen

Verwenden Sie den richtigen Kabelquerschnitt gemäß der folgenden Tabelle, um Spannungsverluste und Leistungsabfälle zu vermeiden. Kabelwege immer so kurz wie möglich halten, ohne Unterbrechung durch zusätzliche Schalter, Stecker oder Steckdosenleisten.

	Kabellänge (m)		
	< 2m	2 - 5m	> 5m
Kabelquerschnitt (mm ²) - 12V	6mm ²	10mm ²	16mm ²
Kabelquerschnitt (mm ²) - 24V	4mm ²	6mm ²	10mm ²

Prüfen Sie vor dem Anschluss immer, ob die bereitgestellte Batteriespannung mit der erforderlichen Betriebsspannung übereinstimmt. Das rote Kabel muss an den Pluspol der Batterie (+), das schwarze Kabel an den Minuspol der Batterie (-) angeschlossen werden.



Der Kühlschrank soll mit 15A abgesichert werden, wenn er an eine 12V Stromversorgung angeschlossen wird, oder mit 7,5A, wenn er an eine 24V Stromversorgung angeschlossen wird.

EN
DE
FR
NL

6 Bedien- und Anzeigeelemente

Nachfolgend eine Erläuterung des Bedienfeldlayouts und möglicher Anzeigeeoptionen.



7 Bedienung und verwendung

Kühlschrank verwenden

- Drücken Sie die Betriebstaste, um die Kühlschrank einzuschalten. Drücken Sie die Betriebstaste erneut, um die Kühlschrank auszuschalten.
- Der Bildschirm schaltet sich ein und zeigt die tatsächliche Temperatur des Kühlfachs und die aktuellen Einstellungen an.
- Stellen Sie mit den Tasten + oder - die gewünschte Temperatur ein. Nach drei Sekunden zeigt die Temperatur wieder die tatsächliche Kühlfachtemperatur an. Die Temperatur kann zwischen Werten von -20 bis 20 °C (-4 bis 68 °F) eingestellt werden.

App Steuerung

Die Kühlschrank kann über die Hyckes App gesteuert werden, wessen man auf einem mobilen Gerät wie Telefon oder Tablet installieren kann. Die App informiert über den aktuellen Status, während Funktionen und Einstellungen geändert und gesteuert werden können. Bitte befolgen Sie die nachstehenden Schritte, um die Kühlschrank mit Ihrem Mobilgerät zu verbinden.

- Laden Sie die Hyckes App aus dem Apple App Store oder Google Play herunter.
- Starten Sie die App auf Ihrem Mobiltelefon und folgen Sie den Anweisungen auf dem Bildschirm.
- Sobald die Kühlschrank erkannt wurde, zeigt sie „APP“ auf dem Display an.
- Bestätigen Sie die Kopplung durch kurzes Drücken der Einstellungstaste an der Kühlschrank.
- Die Kühlschrank ist jetzt für den mobilen Einsatz verbunden.

8 Erweiterte Einstellungen

Kühlmodus

Diese Kühlschrank ist mit drehzahl geregelter Kompressortechnik ausgestattet. Die Elektronik passt die Kompressordrehzahl automatisch an die Umstände an, um die eingestellte Temperatur zu erreichen und aufrechtzuerhalten.

Der **High**-Modus ist die Standardeinstellung für automatisches und schnelles Kühlen.

Der **Eco**-Modus senkt die Kompressordrehzahl und spart bis zu 35 % Stromverbrauch. Dieser Modus kann auch nachts verwendet werden, um unerwünschte Geräusche zu reduzieren.

Diese Funktion kann über die App gesteuert werden, oder an die Kühlschrank über das Bedienfeld:

- Drücken Sie kurz die Einstellungstaste. Die aktuelle Einstellung des Kühlmodus beginnt zu blinken.
- Drücken Sie erneut kurz die Einstellungstaste, um zwischen den Modi zu wechseln (**High=HH**, **Eco=EE**).
- Nach drei Sekunden ist der gewählte Kühlmodus eingestellt und wird wieder dauerhaft auf dem Display angezeigt.

Batterieschutzmodus

Das intelligente Batterieschutzsystem verhindert, dass die Kühlschrank die Fahrzeugbatterie entlädt. Sinkt die Versorgungsspannung unter einen eingestellten Wert, schaltet die Kühlschrank ab. Sobald die Spannung den Wiedereinschaltspannungspegel erreicht, schaltet sich die Kühlschrank automatisch wieder ein.

Der Batterieschutzmodus kann gemäß der folgenden Tabelle auf drei Stufen eingestellt werden:

	12V		24V	
	AUS	AN	AUS	AN
Low	8,5V	10,9V	21,3V	22,7V
Medium	10,1V	11,4V	22,3V	23,7V
High	11,1V	12,4V	24,3V	25,7V



High Stufe sollte eingestellt werden, wenn die Kühlschrank an eine Fahrzeugbatterie angeschlossen ist. Die mittlere oder niedrige Stufe sollte eingestellt werden, wenn die Kühlschrank an eine tragbare oder Backup-Batterie angeschlossen ist.

Diese Funktion kann über die App gesteuert werden, oder an die Kühlschrank über das Bedienfeld:

- Halten Sie die Einstellungstaste drei Sekunden lang gedrückt. Die aktuelle Einstellung beginnt zu blinken.
- Drücken Sie erneut kurz die Einstellungstaste, um zwischen den Modi zu wechseln.
- Nach drei Sekunden ist der gewählte Batterieschonmodus eingestellt und wird wieder dauerhaft auf dem Display angezeigt.



Low



Medium



High

Einstellung der Temperatureinheit

Mit dieser Einstellung kann die angezeigte Temperatureinheit zwischen °Celsius und °Fahrenheit geändert werden. Das betrifft sowohl die Anzeigeeinheit in der App als auch auf der Kühlschrank.

Diese Funktion kann über die App gesteuert werden, oder an die Kühlschrank über das Bedienfeld:

- Schalten Sie die Kühlschrank aus.
- Halten Sie die Einstellungstaste fünf Sekunden lang gedrückt, bis das Display 'E1' zeigt.
- Drücken Sie kurz die Einstellungstaste, bis das Display 'E5' anzeigt.
- Verwenden Sie die Tasten + und -, um zwischen °C und °F umzuschalten.
- Die ausgewählte Temperatureinheit beginnt zu blinken.
- Nach drei Sekunden schaltet sich das Display aus.
- Die gewählte Temperatureinheit wird gespeichert.

Werkseinstellungen zurücksetzen

Im Falle von Unregelmäßigkeiten oder rücktsetzen der Werkseinstellungen, können Sie wie folgt die Einstellungen zurücksetzen:

- Schalten Sie die Kühlschrank aus.
- Halten Sie die Einstellungstaste fünf Sekunden lang gedrückt, bis das Display 'E1' zeigt.
- Halten Sie die Tasten + und - gleichzeitig drei Sekunden lang gedrückt.
- Ein Bestätigungston ertönt die Werkseinstellungen sind erfolgreich zurückgesetzt.

9 Reinigung und Pflege

Entfernen der Schublade

Die Schublade kann aus dem Kühlschrank entnommen werden.

- Ziehen Sie die Schublade vollständig heraus.
- Drücken Sie den linken Verriegelungshaken nach unten und ziehen Sie gleichzeitig den rechten Verriegelungshaken an den Metallführungsschienen hoch.
- Entfernen Sie die Schublade durch leichtes Ziehen nach oben.
- Richten Sie die Führungsschienen auf beiden Seiten aus und schieben Sie die Schublade wieder in den Kühlschrank, wenn Sie die Schublade wieder einsetzen.

Reinigung

Reinigen Sie die Kühlschrank gelegentlich mit einem feuchten Tuch und lassen Sie sie trocknen.

- Stellen Sie sicher, dass die Kühlschrank vor der Reinigung von der Stromversorgung getrennt ist, um Stromschläge zu vermeiden.
- Tauchen Sie das Gerät nicht in Wasser und reinigen Sie es nicht unter fließendem Wasser.
- Verwenden Sie keine harten Gegenstände oder scheuernden Reinigungsmittel, da diese das Gerät beschädigen können.
- Überprüfen Sie regelmäßig die Lufteinlass- und -auslassöffnungen auf Staub oder Schmutz, der den Luftstrom blockiert.

Abtauen

Die Kühlschrank muss von Zeit zu Zeit abgetaut werden. Durch Feuchtigkeit kann sich Reif auf dem Verdampfer absetzen und die Kühlleistung des Gerätes reduzieren.

- Stellen Sie sicher, dass die Kühlschrank vor der Reinigung von der Stromversorgung getrennt ist, um Stromschläge zu vermeiden.
- Verwenden Sie niemals scharfe Gegenstände zum Abtauen des Geräts, da diese den Kältemittelkreislauf beschädigen können.
- Verwenden Sie keine mechanischen Gegenstände oder andere Mittel, die den Abtauvorgang beschleunigen, da diese das Gerät beschädigen können.
- Entfernen Sie das Schmelzwasser (ggf. durch Entfernen der Ablassschraube)
- Mit einem feuchten Tuch reinigen und trocknen lassen.

Lagerung

Wenn das Gerät längere Zeit nicht verwendet wird:

- Trennen Sie das Netzkabel und vergewissern Sie sich, dass das Gerät ausgeschaltet ist.
- Lassen Sie das Gerät einige Zeit zum Abtauen stehen.
- Reinigen und trocknen Sie das Gerät.
- Um Schimmel- und Geruchsentwicklung im Kühlfach zu vermeiden, nehmen Sie den Deckel ab oder lassen Sie ihn geöffnet.

10 Störungsbeseitigung

Wenn während des Gebrauchs Probleme mit der Kühlschrank auftreten, sehen Sie bitte in der folgenden Fehlerbehebungsliste nach. Wenn dies die Probleme nicht löst, wenden Sie sich bitte an einen Händler vor Ort oder besuchen Sie www.hyckes.com.

Problem	Mögliche Ursache oder Vorschlag
Das Gerät funktioniert nicht.	Überprüfen Sie, ob Netzkabel und Stecker richtig angeschlossen sind. Das Netzteil liefert keine Spannung, versuchen Sie eine andere Steckdose oder Steckdose. Eine Sicherung ist durchgebrannt, bitte überprüfen und ersetzen Sie die Sicherung.
Das Gerät kann nicht per App gesteuert werden.	Starten Sie die App auf Ihrem Mobilgerät neu oder verbinden Sie Bluetooth (erneut). Siehe Abschnitt „App-Verbindung“.
Aus dem Kühlfach kommt ein blubberndes oder zischendes Geräusch.	Dies ist ein normales Phänomen, das durch den Kältemittelfluss verursacht wird.
Der Kompressor ist beim Starten etwas laut.	Dies ist ein normales Phänomen, der Ton wird nach einiger Zeit leiser.
Auf dem Display wird ein Fehlercode angezeigt.	Bitte überprüfen Sie die folgende Tabelle.

Falls das Display der Kühlschrank einen Fehlercode (Fx) anzeigt, erklärt die folgende Tabelle die Bedeutung dieses Fehlercodes und eine mögliche Ursache und einen Vorschlag zur Behebung dieses Fehlers.

Fehlercode	Mögliche Ursache	Vorschlag
F1	Niedrige Eingangsspannung	Überprüfen Sie die Stromversorgung der Batterie oder ändern Sie den Batterieschutzmodus auf mittel oder niedrig.
F2	Kühlgebläse überhitzt	Schalten Sie das Gerät für 5 Minuten aus und starten Sie es dann neu. Wenden Sie sich zwecks Wartung an ein autorisiertes Reparaturzentrum, wenn das Problem weiterhin besteht.
F3	Kompressor startete zu häufig	Schalten Sie das Gerät für 5 Minuten aus und starten Sie es dann neu. Wenden Sie sich zwecks Wartung an ein autorisiertes Reparaturzentrum, wenn das Problem weiterhin besteht.
F4	Kompressorstart fehlgeschlagen	Schalten Sie das Gerät für 5 Minuten aus und starten Sie es dann neu. Wenden Sie sich zwecks Wartung an ein autorisiertes Reparaturzentrum, wenn das Problem weiterhin besteht.
F5	Kompressor überhitzt	Schalten Sie das Gerät für 5 Minuten aus und starten Sie es dann neu. Wenden Sie sich zwecks Wartung an ein autorisiertes Reparaturzentrum, wenn das Problem weiterhin besteht.
F6	Es kann kein Parameter erkannt werden	Schalten Sie das Gerät für 5 Minuten aus und starten Sie es dann neu. Wenden Sie sich zwecks Wartung an ein autorisiertes Reparaturzentrum, wenn das Problem weiterhin besteht.
F7 oder F8	Temperatursensor defekt	Inspektion erforderlich. Wenden Sie sich für den Service an ein autorisiertes Reparaturzentrum.

11 Gewährleistung

Die gesetzliche Gewährleistungsfrist gilt, wenn das Produkt gemäß den Anweisungen verwendet wird und für den Zweck, für den es erstellt wurde. Bitte wenden Sie sich an einen Händler vor Ort oder an die in diesem Handbuch angegebene Adresse, wenn das Produkt defekt ist.

Bitte fügen Sie eine Kopie der Rechnung und den Grund der Reklamation oder eine Beschreibung des Fehlers bei.

12 Technische Daten

In der folgenden Tabelle finden Sie alle technischen Daten der HyFridge Slide.

Modell	HyFridge Slide 20
Nennspannung	12V/24V
Nennleistung	60W
Kapazität	20,0L
Lärm	< 45 dB
Temperaturbereich	-20~+20 °C / -4~+68 °F
Klimakategorie	T/ST/N/SN
Maße (HxBxT)	250 x 440 x 698mm
Reingewicht	17,4kg

13 Entsorgung



Dieses Produkt sollte gemäß den geltenden Entsorgungsvorschriften gemäß der europäischen Richtlinie (2012/19/EU) zerlegt werden, um seine Auswirkungen auf die Umwelt zu minimieren. Die in diesem Gerät verwendeten Materialien können recycelt werden, dies trägt zum Schutz unserer Umwelt bei. Bitte wenden Sie sich an Ihren örtlichen Händler oder die Behörden, um weitere Informationen zur Sammelstelle zu erhalten.

Konformitätserklärung

Dieses Produkt entspricht den Anforderungen und anderen relevanten Vorschriften, die in der europäischen Richtlinie für elektromagnetische Verträglichkeit (2014/30/EU) und der Niederspannungsrichtlinie (2014/35/EU) aufgeführt sind. Bitte wenden Sie sich an die in diesem Handbuch angegebene Adresse, wenn Sie eine Konformitätserklärung für dieses Produkt wünschen.



Veillez lire attentivement ce manuel avant de démarrer l'appareil. Conservez-le dans un endroit sûr pour référence future. Si l'appareil est transmis à une autre personne, ce manuel doit être remis à l'utilisateur avec celui-ci.

Sommaire

1.	Consignes de sécurité	page 28
2.	Usage conforme	page 28
3.	Contenu de la livraison	page 29
4.	Étendue des fonctions	page 29
5.	Installation	page 30
	• Exigences d'aération	
	• Raccordement du réfrigérateur	
6.	Panneau de commande et éléments d'affichage	page 32
7.	Utilisation et fonctionnement	page 32
	• Utilisation du réfrigérateur	
	• Connexion à l'application	
8.	Réglages avancés	page 33
	• Mode de refroidissement	
	• Mode de protection de la batterie	
	• Réglage de l'unité de température	
	• Réinitialiser aux paramètres d'usine	
9.	Entretien et nettoyage	page 35
	• Retrait du tiroir	
	• Nettoyage	
	• Décongélation	
	• Stockage	
10.	Guide de dépannage	page 36
11.	Garantie	page 37
12.	Caractéristiques techniques	page 37
13.	Retraitement	page 37

EN

DE

FR

NL



ATTENTION! Le non-respect de ces avertissements peut entraîner la mort ou des blessures graves. Veuillez lire et suivre attentivement les instructions ci-dessous.

1 Consignes de sécurité

- Si l'appareil est visiblement endommagé, ne l'utilisez pas et contactez votre fournisseur.
- N'exposez pas l'appareil à la pluie ou à l'eau.
- Ne placez jamais l'appareil à proximité d'un feu ouvert ou d'autres sources de chaleur telles que des grils à gaz, des radiateurs, etc.
- Ne stockez pas de substances explosives telles que des bombes aérosols avec un propulseur inflammable.
- N'utilisez pas l'appareil dans des compartiments fermés ou des zones sans flux d'air ou avec un flux d'air minimal.
- Assurez-vous qu'il y a un minimum de 50 à 100 mm de ventilation autour de l'appareil à tout moment lors de son utilisation.
- Si le câble d'alimentation est endommagé, il doit être remplacé pour éviter les risques pour la sécurité
- N'utilisez l'appareil qu'avec le câble d'alimentation d'origine fourni avec cet appareil.
- Avant chaque utilisation, la spécification de tension doit être vérifiée en fonction de l'alimentation en énergie utilisée.
- Ne tirez jamais le câble d'alimentation de la prise uniquement par le câble.
- Seul un personnel qualifié est autorisé à réparer cet appareil.
- Les enfants âgés de 8 ans et plus et les personnes ayant des capacités physiques, sensorielles ou mentales réduites ou un manque d'expérience et de connaissances peuvent utiliser cet appareil s'ils sont surveillés ou s'ils ont reçu des instructions sur l'utilisation de l'appareil en toute sécurité et doivent être conscients des risques éventuels encourus.
- L'appareil ne doit pas être utilisé par des enfants.

L'isolation de cet appareil contient du cyclopentane inflammable et nécessite des procédures d'élimination spéciales. Déposez l'appareil en fin de vie dans un centre de retraitement approprié.

2 Usage conforme

Ce produit est conçu pour fonctionner sur une alimentation 12/24V dans un véhicule. Le réfrigérateur convient au refroidissement des boissons et des aliments. Il est destiné à être installé dans les caravanes, les camping-cars et sur les bateaux, conformément à ces instructions.

Le fabricant décline toute responsabilité pour toute blessure ou dommage au produit résultant de; un montage, une connexion, une maintenance incorrects ou une utilisation à d'autres fins que celles décrites dans ce manuel. Veuillez contacter votre revendeur local ou l'adresse indiquée dans ce manuel en cas de doute ou de question.

Toutes les informations, spécifications et illustrations utilisées dans ce document reflètent les informations les plus récentes disponibles au moment de la publication. Sans préavis, ils peuvent faire l'objet de modifications.



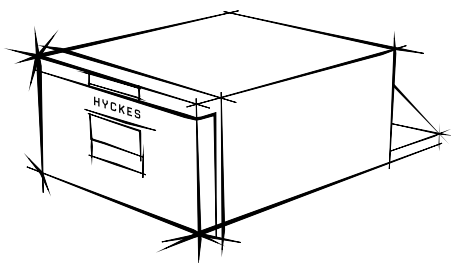
Avis avant utilisation! Lors de la première utilisation, l'appareil doit être placé sur une surface plane pendant au moins 6 heures, avant de l'allumer.

Lorsque l'appareil est déplacé, assurez-vous que l'angle ne dépasse pas 30 degrés pendant un maximum de 30 secondes. Si l'appareil est en marche, assurez-vous que l'angle ne dépasse pas 5 degrés.

Débranchez l'appareil de l'alimentation électrique après chaque utilisation, avant de le nettoyer ou d'effectuer un entretien.

Pendant le fonctionnement, ne laissez pas l'appareil ouvert pendant de longues périodes. Cela empêche les chutes de température, optimise les performances de refroidissement et réduit la consommation d'énergie.

3 Contenu de la livraison



- Réfrigérateur

4 Étendue des fonctions

- Le compresseur à vitesse variable combine des performances de refroidissement maximales et une consommation d'énergie moindre par rapport aux compresseurs traditionnels (jusqu'à 35%).
- L'isolation haut de gamme assure un refroidissement et une congélation efficaces et rapides jusqu'à -20°C en toutes circonstances.
- Le tiroir escamotable amovible donne un accès optimal au compartiment de refroidissement.
- Panneau de commande avec affichage LED.
- Récepteur Bluetooth intégré pour le contrôle des applications via des appareils mobiles.
- Fonction Eco pour économiser de l'énergie ou mode nuit pour réduire le bruit.
- Système intelligent de protection de la batterie pour éviter de vider la batterie du véhicule.
- Les séparateurs amovibles apportent une disposition flexible des tiroirs.

5 Installation



L'installation dans les véhicules doit être conforme aux exigences techniques et aux réglementations en vigueur du pays d'utilisation respectif. Seuls des experts formés et certifiés sont autorisés à installer et à réparer cet appareil. Veuillez contacter votre revendeur local pour toute autre question ou demande de renseignements.

Ce réfrigérateur peut être intégré à l'aide du cadre de montage en option, vendu comme accessoire séparé. Lorsque l'appareil est installé dans un emplacement permanent, veuillez suivre les directives ci-dessous.



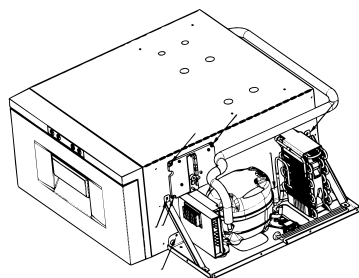
Si le compartiment du compresseur est couvert, retirez le couvercle afin d'optimiser le flux d'air.

Compresseur déplaçable

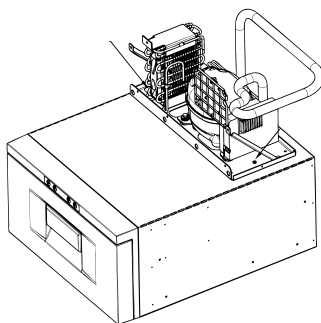
Ce réfrigérateur est équipé d'un compresseur déplaçable. Le compresseur peut être déplacé dans des situations d'installation spécifiques pour économiser de l'espace.



Le compresseur peut se déplacer à moins de 150cm du tiroir du réfrigérateur. En standard, le compresseur peut être monté dans trois positions différentes sur le réfrigérateur. Utilisez les trous pré percés en haut, à gauche ou à droite du corps du tiroir.



Installation sur le côté



Installation en haut

Pour changer la position du compresseur, suivez la procédure ci-dessous:

- Retirer le couvercle arrière du compresseur.
- Dévisser le compresseur du corps du tiroir.
- Repositionner le compresseur (à gauche, à droite ou sur le dessus).
- Monter le compresseur sur le corps du tiroir en serrant les vis dans les trous pré percés.

Exigences d'aération

Assurez-vous que l'air chaud produit par le réfrigérateur peut facilement s'échapper du compartiment. Laissez un espace minimum de 50 mm derrière ou au-dessus de l'appareil, menant à une fente de ventilation pour une circulation naturelle de l'air. Gardez les objets éloignés du boîtier et assurez-vous que les fentes de ventilation sont dégagées à tout moment.

Raccordement du réfrigérateur

Utilisez la section de câble correcte, en suivant le tableau ci-dessous, pour éviter les pertes de tension et les chutes de puissance. Gardez toujours le chemin de câble aussi court que possible, sans interruption d'interrupteurs, de prises ou de barrettes d'alimentation supplémentaires.

	Longueur de câble (m)		
	< 2m	2 - 5m	> 5m
Section de câble (mm ²) - 12V	6mm ²	10mm ²	16mm ²
Section de câble (mm ²) - 24V	4mm ²	6mm ²	10mm ²

Avant la connexion, vérifiez toujours si la tension de la batterie fournie correspond à la tension de fonctionnement requise. Le câble rouge doit être connecté à la borne positive de la batterie (+), le câble noir à la borne négative de la batterie (-).



Le réfrigérateur doit être protégé par fusible à 15A lorsqu'il est connecté à une alimentation 12V, ou 7,5A connecté à une alimentation 24V.

EN

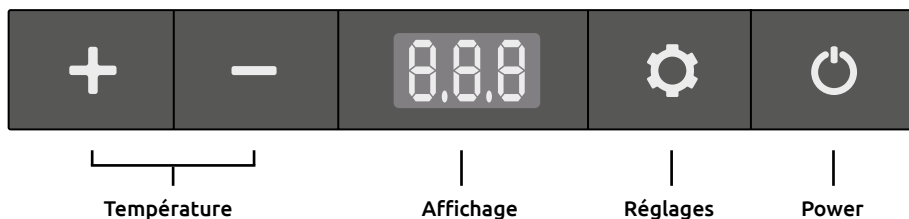
DE

FR

NL

6 Panneau de commande et éléments d'affichage

Vous trouverez ci-dessous une explication de la disposition du panneau de commande et des options d'affichage possibles.



7 Utilisation et fonctionnement

Utilisation du réfrigérateur

- Appuyez sur le bouton d'alimentation pour allumer le réfrigérateur. Appuyez à nouveau sur le bouton d'alimentation pour éteindre le réfrigérateur.
- L'écran s'allume et affiche la température réelle du compartiment de refroidissement et les paramètres actuels.
- Utilisez les boutons + ou - pour régler la température souhaitée. Après trois secondes, la température affichera à nouveau la température réelle du compartiment de refroidissement. La température peut être réglée entre -20 et 20°C (-4 et 68°F).

Connexion à l'application

Le réfrigérateur peut être contrôlé à l'aide de l'application Hykes, qui peut être installée sur un appareil mobile tel qu'un téléphone ou une tablette. L'application donnera des informations sur l'état actuel tandis que les fonctions et les paramètres peuvent être modifiés ou contrôlés. Veuillez suivre les étapes ci-dessous pour connecter le réfrigérateur à votre appareil mobile.

- Téléchargez l'application Hykes depuis l'Apple App Store ou Google Play.
- Démarrez l'application sur votre téléphone portable et suivez les instructions à l'écran.
- Une fois détecté, le réfrigérateur affichera 'APP' sur l'écran.
- Confirmez l'appairage en appuyant brièvement sur le bouton de réglage du réfrigérateur.
- Le réfrigérateur est maintenant connecté pour une utilisation mobile.

8 Réglages avancés

Mode de refroidissement

Ce réfrigérateur est équipé de la technologie de compresseur à vitesse variable. L'électronique variera automatiquement la vitesse du compresseur en fonction des conditions pour atteindre et maintenir la température de consigne.

Le mode *High* est le réglage par défaut pour un refroidissement automatique et rapide.



Le mode *Eco* réduira la vitesse du compresseur et permettra d'économiser jusqu'à 35 % de consommation d'énergie. Ce mode peut également être utilisé la nuit pour réduire les bruits indésirables.

Cette fonctionnalité peut être contrôlée via l'application ou modifiée sur le réfrigérateur à l'aide du panneau de commande:

- Appuyez brièvement sur le bouton des paramètres. Le réglage actuel du mode de refroidissement commencera à clignoter.
- Appuyez à nouveau brièvement sur le bouton des paramètres pour basculer entre les modes (*High=HH*, *Eco=EE*).
- Après trois secondes, le mode de refroidissement sélectionné sera réglé et redeviendra solide sur l'affichage.

Protecteur de batterie

Le système intelligent de protection de la batterie empêchera le réfrigérateur de vider la batterie du véhicule. Si la tension d'alimentation tombe en dessous d'un niveau défini, le réfrigérateur s'éteint. Une fois que la tension atteint le niveau de tension de redémarrage, le réfrigérateur se rallume automatiquement.

Le mode de protection de la batterie peut être réglé sur trois niveaux, en suivant le tableau ci-dessous :

	12V		24V	
	Éteindre	Allumer	Éteindre	Allumer
L - Low	8,5V	10,9V	21,3V	22,7V
M - Medium	10,1V	11,4V	22,3V	23,7V
H - High	11,1V	12,4V	24,3V	25,7V



Le niveau élevé doit être réglé lorsque le réfrigérateur est connecté à une batterie de véhicule. Le niveau moyen ou bas doit être réglé lorsque le réfrigérateur est connecté à une batterie portable ou de secours.

Cette fonctionnalité peut être contrôlée via l'application ou modifiée sur le réfrigérateur à l'aide du panneau de commande:

- Appuyez longuement sur le bouton des paramètres pendant trois secondes. Le réglage actuel commencera à clignoter.
- Appuyez à nouveau brièvement sur le bouton des paramètres pour basculer entre les modes.
- Au bout de trois secondes, le mode de protection de la batterie sélectionné sera réglé et redeviendra fixe sur l'écran.

Réinitialiser aux paramètres d'usine

En cas d'irrégularités ou de récupération des paramètres d'usine par défaut, suivez la procédure ci-dessous :

- Éteignez le réfrigérateur.
- Appuyez longuement sur le bouton de réglage pendant cinq secondes jusqu'à ce que l'écran affiche 'E1'.
- Appuyez longuement sur les boutons + et - en même temps pendant trois secondes.
- Une tonalité de confirmation retentit pour une réinitialisation d'usine réussie.

9 Entretien et nettoyage

Retrait du tiroir

Le tiroir peut être retiré du réfrigérateur.

- Tirez complètement le tiroir.
- Abaissez le crochet à ressort gauche et tirez simultanément vers le haut le crochet à ressort droit sur les rails de guidage métalliques.
- Retirez le tiroir vers le haut en le tirant légèrement.
- Alignez les rails de guidage des deux côtés et repoussez le tiroir dans le réfrigérateur lors de la réinstallation du tiroir.

Nettoyage

Nettoyez de temps en temps le réfrigérateur avec un chiffon humide et laissez-la sécher.

- Assurez-vous que le réfrigérateur est débranché de l'alimentation électrique avant de le nettoyer pour éviter les chocs électriques.
- Ne trempez pas l'appareil dans l'eau et ne le nettoyez pas sous l'eau courante.
- N'utilisez pas d'objets durs ou de produits de nettoyage abrasifs car ils peuvent endommager l'appareil.
- Vérifiez périodiquement les événements d'entrée et de sortie d'air pour la poussière ou la saleté bloquant le flux d'air.

Décongélation

Le réfrigérateur doit être dégivré de temps en temps. En raison de l'humidité, du givre peut se déposer sur l'évaporateur et réduire la capacité de refroidissement de l'appareil.

- Assurez-vous que le réfrigérateur est débranché de l'alimentation électrique avant de le nettoyer pour éviter les chocs électriques.
- N'utilisez jamais d'objets pointus pour dégivrer l'appareil car ils peuvent endommager le circuit frigorifique.
- N'utilisez pas d'objets mécaniques ou d'autres moyens accélérant le processus de dégivrage car ils pourraient endommager l'appareil.
- Retirez l'eau de fonte (en retirant le bouchon de vidange le cas échéant)
- Nettoyer avec un chiffon humide et laisser sécher.

Stockage

Lorsque l'appareil n'est pas utilisé pendant une longue période:

- Débranchez le câble d'alimentation et assurez-vous que l'appareil est éteint.
- Laissez l'appareil pendant un certain temps pour dégivrer.
- Nettoyez et séchez l'appareil.
- Pour éviter la formation de moisissures et d'odeurs dans le compartiment de refroidissement, retirez le couvercle ou laissez-le ouvert.

EN

DE

FR

NL

10 Guide de dépannage

En cas de problèmes avec le réfrigérateur pendant l'utilisation, veuillez vous référer à la liste de dépannage ci-dessous. Si cela ne résout pas les problèmes, veuillez contacter un revendeur local ou visiter www.hyckes.com.

Problème	Cause possible ou suggestion
L'appareil ne fonctionne pas.	Vérifiez si le câble d'alimentation et les fiches sont correctement connectés. L'alimentation ne donne pas de tension, essayez une autre prise de courant ou une autre prise. Un fusible a sauté, veuillez vérifier et remplacer le fusible.
L'appareil ne peut pas être contrôlé par l'application.	Redémarrez l'application sur votre appareil mobile ou (re)connectez Bluetooth. Voir le paragraphe 'connexion à l'application'.
Un bruit de bouillonnement ou de grésillement provient du compartiment de refroidissement.	Il s'agit d'un phénomène normal, causé par le flux de réfrigérant.
Le compresseur est un peu bruyant au démarrage.	C'est un phénomène normal, le son diminuera après un certain temps de fonctionnement.
Un code d'erreur s'affiche à l'écran.	Veuillez consulter le tableau ci-dessous.

Si l'écran du réfrigérateur affiche un code d'erreur (Fx), le tableau suivant explique la signification de ce code d'erreur ainsi qu'une cause possible et une suggestion pour résoudre ce problème.

Code d'erreur	Cause possible	Suggestion
F1	Basse tension d'entrée	Vérifiez l'alimentation de la batterie ou changez le mode de protection de la batterie sur moyen ou faible.
F2	Ventilateur trop chaud	Éteignez l'appareil pendant 5 minutes, puis redémarrez. Contactez un centre de réparation agréé pour le service si le problème persiste.
F3	Compresseur démarré trop souvent	Éteignez l'appareil pendant 5 minutes, puis redémarrez. Contactez un centre de réparation agréé pour le service si le problème persiste.
F4	Compresseur échec du démarrage	Éteignez l'appareil pendant 5 minutes, puis redémarrez. Contactez un centre de réparation agréé pour le service si le problème persiste.
F5	Compresseur trop chaud	Éteignez l'appareil pendant 5 minutes, puis redémarrez. Contactez un centre de réparation agréé pour le service si le problème persiste.
F6	Aucun paramètre ne peut être détecté	Éteignez l'appareil pendant 5 minutes, puis redémarrez. Contactez un centre de réparation agréé pour le service si le problème persiste.
F7 or F8	Défaut du capteur de température	Contrôle requis. Contactez un centre de réparation agréé pour le service.

11 Garantie

La période de garantie légale s'applique si le produit est utilisé conformément aux instructions et dans le but pour lequel il a été créé. Veuillez contacter un revendeur local ou l'adresse indiquée dans ce manuel si le produit est défectueux.

Veuillez inclure le reçu d'achat original et la raison de la réclamation ou la description du défaut.

12 Caractéristiques techniques

Dans le tableau ci-dessous, vous trouverez toutes les caractéristiques techniques des différents modèles de la série HyFridge.

Modèle	HyFridge Slide 20
Tension nominale	12V/24V
Puissance nominale	60W
Capacité	20,0L
Bruit	< 45 dB
Écart de température	-20~+20 °C / -4~+68 °F
Catégorie climatique	T/ST/N/SN
Dimensions (HxLxP)	250 x 440 x 698mm
Poids net	17,4kg

13 Retraitement



Ce produit doit être démonté conformément aux réglementations applicables en matière d'élimination, conformément à la directive européenne (2012/19/UE) afin de minimiser son impact sur l'environnement. Les matériaux utilisés dans cet appareil peuvent être recyclés, cela contribuera à la protection de notre environnement. Veuillez contacter votre revendeur local ou les autorités pour plus d'informations concernant le point de collecte.

Déclaration de conformité

Ce produit est conforme aux exigences et autres réglementations pertinentes répertoriées dans la directive européenne sur la compatibilité électromagnétique (2014/30/UE) et la directive basse tension (2014/35/UE). Veuillez contacter l'adresse indiquée dans ce manuel si vous souhaitez une déclaration de conformité pour ce produit.



Lees deze handleiding aandachtig door voordat het apparaat in gebruik genomen wordt. Bewaar dit document op een veilige plaats voor toekomstig gebruik. Indien het apparaat wordt doorgegeven aan een ander persoon, dient deze handleiding samen met het apparaat te worden overhandigd.

Inhoud

1.	Veiligheidsinstructies	pagina 40
2.	Beoogd gebruik	pagina 40
3.	Leveringsomvang	pagina 41
4.	Functiebeschrijving	pagina 41
5.	Installatie	pagina 42
	• Ventilatie-eisen	
	• Aansluiten van de koelkast	
6.	Bedieningspaneel en display elementen	pagina 44
7.	Bediening en gebruik	pagina 44
	• Gebruik van de koelkast	
	• Bediening via de app	
8.	Geavanceerde instellingen	pagina 45
	• Koelmodus instellen	
	• Batterij beveiligingsmodus instellen	
	• Temperatuureenheid instellen	
	• Fabrieksinstellingen herstellen	
9.	Reinigen en onderhoud	pagina 47
	• Koellade verwijderen	
	• Schoonmaken	
	• Ontdooien	
	• Opbergen	
10.	Verhelpen van storingen	pagina 48
11.	Garantie	pagina 49
12.	Technische gegevens	pagina 49
13.	Recyclen	pagina 49

EN

DE

FR

NL



WAARSCHUWING! *Het niet opvolgen van deze waarschuwingen kan de dood of ernstig letsel tot gevolg hebben. Lees en volg de onderstaande instructies zorgvuldig.*

1 Veiligheidsinstructies

- Indien het apparaat zichtbaar beschadigd is, neem het niet in gebruik en neem contact op met uw leverancier.
- Stel het apparaat niet bloot aan regen of water.
- Plaats het apparaat nooit in de buurt van open vuur of andere warmtebronnen zoals barbecues, kachels enz.
- Bewaar geen explosieve stoffen zoals spuitbussen met een ontvlambaar drijfgas in het apparaat.
- Gebruik het apparaat niet in gesloten compartimenten of ruimtes met geen of minimale luchtstroom.
- Zorg ervoor dat er tijdens gebruik altijd minimaal 50 tot 100 mm ventilatie rond het apparaat is.
- Als de voedingskabel beschadigd is, moet deze worden vervangen om veiligheidsrisico's te voorkomen.
- Gebruik het apparaat alleen met de originele stroomkabel die bij dit apparaat is geleverd.
- Voor elk gebruik moet de spanningsspecificatie worden gecontroleerd die overeenkomt met de gebruikte energievoorziening.
- Trek de aansluitkabel nooit alleen aan het snoer uit een stopcontact.
- Alleen gekwalificeerd personeel mag dit apparaat repareren.
- Kinderen van 8 jaar en ouder en personen met verminderde fysieke, zintuiglijke of mentale vermogens of gebrek aan ervaring en kennis kunnen dit apparaat gebruiken, als ze onder toezicht staan of instructies krijgen hoe ze het apparaat op een veilige manier kunnen gebruiken en zich bewust moeten zijn van de mogelijke gevaren betrokken.
- Het apparaat mag niet door kinderen als speelgoed worden gebruikt.

De isolatie van dit apparaat bevat ontvlambaar cyclopentaan en vereist speciale verwijderingsprocedures. Lever het apparaat aan het einde van zijn levenscyclus in bij een geschikt recyclingcentrum.

2 Beoogd gebruik

Dit product is ontworpen om te werken op een 12/24V voeding in een voertuig. De koelkast is geschikt voor het koelen van dranken en etenswaren. Het apparaat is bedoeld om te worden geïnstalleerd in caravans, campers en op boten, in overeenstemming met deze instructies.

De fabrikant aanvaardt geen aansprakelijkheid voor enig letsel of schade aan het product als gevolg van; onjuiste montage, aansluiting, onderhoud of gebruik voor andere doeleinden dan beschreven in deze handleiding. Neem in geval van twijfel of vragen contact op met uw plaatselijke dealer of het adres dat in deze handleiding wordt vermeld.

Alle informatie, specificaties en illustraties die in dit document worden gebruikt, geven de meest recente inhoud weer, beschikbaar op het moment van publicatie. Zonder voorafgaande kennisgeving kunnen deze eenzijdig worden gewijzigd.



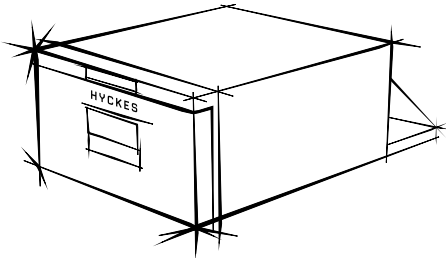
Let op voor gebruik! Bij het eerste gebruik moet het apparaat minimaal 6 uur op een vlakke ondergrond worden geplaatst voordat het wordt ingeschakeld.

Zorg er tijdens het verplaatsen van het apparaat voor dat de hoek gedurende maximaal 30 seconden niet meer dan 30 graden is. Als het apparaat in werking is, zorg er dan voor dat de hoek niet groter is dan 5 graden.

Koppel het apparaat na elk gebruik los van het stroomnet, voordat u het schoonmaakt of onderhoud uitvoert.

Laat het apparaat tijdens het gebruik niet te lang openstaan. Dit voorkomt temperatuurdalingen, optimaliseert de koelprestaties en vermindert het stroomverbruik.

3 Leveringsomvang



- Koelkast

4 Functiebeschrijving

- Compressor met variabel toerental combineert maximale koelprestaties met minder energieverbruik in vergelijking met traditionele compressoren (tot 35%).
- Hoogwaardige isolatie zorgt voor snel en efficiënt koelen en vriezen tot -20°C ongeacht de omgevingstemperatuur.
- Uitneembare schuiflade geeft optimale toegang tot de koelruimte.
- Bedieningspaneel met LED display.
- Geïntegreerde Bluetooth-ontvanger voor app-bediening via mobiele apparaten.
- Eco-functie voor energiebesparing of nachtmodus om geluid te verminderen.
- Intelligent batterij beveiligingssysteem voorkomt dat de voertuigaccu leegloopt.
- Uitneembare verdelers zorgen voor een flexibele indeling van de lade.

EN

DE

FR

NL

5 Installatie



Installatie in voertuigen dient te voldoen aan de technische vereisten en relevante voorschriften van het betreffende land van gebruik. Alleen getrainde en gecertificeerde experts mogen dit apparaat installeren en repareren. Neem contact op met uw plaatselijke dealer voor verdere vragen of inlichtingen.

Deze koelkast kan worden ingebouwd met behulp van het optionele montageframe, dat als apart accessoire wordt verkocht. Volg de onderstaande richtlijnen wanneer het apparaat op een permanente locatie wordt geïnstalleerd.



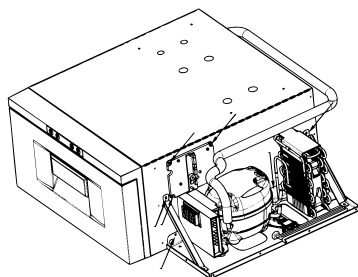
Indien het compressorcompartiment is afgedekt, dient de afdekking verwijderd te worden om de luchtstroom te optimaliseren.

Verplaatsbare compressor

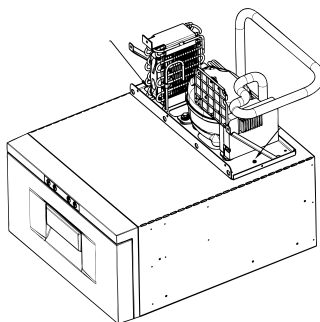
Deze koelkast is uitgerust met een verplaatsbare compressor. De compressor kan in specifieke inbouwsituaties worden verplaatst om ruimte te besparen.



De compressor kan binnen 150cm van de koelkast worden verplaatst. De compressor kan standaard in drie verschillende posities op de koelkast worden gemonteerd. Gebruik de voorgeboorde gaten aan de bovenkant, linkerkant of rechterkant van de behuizing.



Zijmontage



Bovenmontage

Om de positie van de compressor te verplaatsen, volg onderstaande procedure:

- Verwijder de afdekking van de compressor.
- Schroef de compressor los van de behuizing.
- Verplaats de compressor naar een van voorbereide posities (links, rechts of boven)
- Monteer de compressor op de lade door de schroeven in de voorgeboorde gaten vast te draaien.

Ventilatie-eisen

Zorg ervoor dat de warme lucht die door de koelkast wordt geproduceerd, gemakkelijk uit het compartiment kan wegstromen. Laat minimaal 50mm ruimte achter of boven het apparaat, zodat er een ventilatiespleet ontstaat voor natuurlijke luchtcirculatie. Houd voorwerpen uit de buurt van de behuizing en zorg ervoor dat ventilatiesleuven altijd vrij zijn.

Koelkast aansluiten

Gebruik de juiste kabeldiameter volgens onderstaande tabel om spanningsverlies en vermogensdalingen te voorkomen. Houd het kabeltraject altijd zo kort mogelijk, zonder onderbreking van extra schakelaars, stekkers of stekkerdozen.

	Kabellengte (m)		
	< 2m	2 - 5m	> 5m
Kabeldiameter (mm ²) - 12V	6mm ²	10mm ²	16mm ²
Kabeldiameter (mm ²) - 24V	4mm ²	6mm ²	10mm ²



Controleer voor het aansluiten altijd of de geleverde accuspanning overeenkomt met de benodigde bedrijfsspanning. De rode kabel moet worden aangesloten op de positieve pool van de batterij (+), de zwarte kabel op de negatieve pool van de batterij (-).

De koelkast dient beveiligd te worden met een zekering van 15A bij aansluiting op een 12V voeding, of 7,5A bij aansluiting op een 24V voeding.

EN

DE

FR

NL

6 Bedieningspaneel en display elementen

Hieronder een overzicht van het bedieningspaneel en mogelijke weergaves op het display.



7 Bediening en gebruik

Gebruik van de koelkast

- Druk op de aan/ uit knop om de koelkast in te schakelen. Druk nogmaals op de aan/ uit knop om de koelkast uit te schakelen.
- Het scherm wordt ingeschakeld en toont de gemeten temperatuur van het koelcompartiment en de gekozen instellingen.
- Gebruik de +/- toetsen om de gewenste temperatuur van het koelcompartiment in te stellen. Na drie seconden wordt de gemeten koelcompartiment temperatuur opnieuw weergegeven. De temperatuur kan worden ingesteld tussen waarden van -20 tot 20°C (-4 tot 68°F).

Bediening via de app

De koelkast kan worden bediend via een mobiel apparaat, zoals een telefoon of tablet, met behulp van de Hykes app. De app geeft informatie over de huidige status, terwijl functies en instellingen kunnen worden gecontroleerd of gewijzigd. Volg de onderstaande stappen om de koelkast te verbinden met een mobiele apparaat.

- Download de Hykes app uit de Apple App Store of Google Play.
- Start de app op het mobiele apparaat en volg de instructies op het scherm.
- Eenmaal gedetecteerd, toont de koelkast 'APP' op het display.
- Bevestig het koppelen door kort op de instellingen knop op de koelkast te drukken.
- De koelkast is nu verbonden voor mobiel gebruik.

8 Geavanceerde instellingen

Koelmodus instellen

Deze koelkast is uitgerust met variabele snelheid compressortechnologie. De elektronica zal automatisch de compressorsnelheid variëren afhankelijk van de omstandigheden om de ingestelde temperatuur te kunnen bereiken en behouden.

MAX modus is de standaardinstelling voor automatisch en snel koelen.

ECO modus verlaagt de compressorsnelheid en bespaart tot 35% stroomverbruik. Deze modus kan ook 's nachts worden gebruikt om ongewenste geluiden te verminderen.

Deze functie kan via de app worden bediend of op de koelkast worden gewijzigd via het bedieningspaneel:

- Druk kort op de instellingenknop. De huidige instelling van de koelmodus begint te knippen.
- Druk nogmaals kort op de instellingenknop om tussen modi te schakelen (*High=HH, Eco=EE*).
- Na drie seconden wordt de geselecteerde koelmodus ingesteld en stopt met knippen op het display.

Batterij beveiligingsmodus instellen

Het intelligente batterij beveiligingssysteem voorkomt dat de accu van het voertuig leegloopt. Als de voedingsspanning onder het ingestelde niveau komt, schakelt de koelkast uit. Zodra de spanning het herstart niveau bereikt, schakelt de koelkast automatisch weer in.

De batterij beveiligingsmodus kan op drie niveaus worden ingesteld, zie onderstaande tabel:

	12V		24V	
	UIT	AAN	UIT	AAN
Low	8,5V	10,9V	21,3V	22,7V
Medium	10,1V	11,4V	22,3V	23,7V
High	11,1V	12,4V	24,3V	25,7V



High niveau dient te worden ingesteld wanneer de koelkast is aangesloten op een voertuig accu. Medium of Low niveau dient te worden gebruikt wanneer de koelkast is aangesloten op een draagbare of back-up batterij.

Deze functie kan via de app worden bediend of op de koelkast worden gewijzigd via het bedieningspaneel:

- Houd de instellingen knop drie seconden lang ingedrukt. De huidige instelling begint te knippen.
- Druk nogmaals kort op de instellingen knop om tussen modi te schakelen.
- Na drie seconden wordt de geselecteerde batterij beschermingsmodus ingesteld en wordt en stopt met knippen op het display.



Low



Medium



High

Temperatuureenheid instellen

Met deze instelling kan de weergegeven temperatuureenheid worden gewijzigd tussen °Celsius en °Fahrenheit. Dat heeft invloed op zowel de weergegeven eenheid in de app als op de koelkast.

Deze functie kan via de app worden bediend of op de koelkast worden gewijzigd via het bedieningspaneel:

- Schakel de koelkast uit.
- Houd de instellingen knop vijf seconden lang ingedrukt totdat op het display 'E1' verschijnt.
- Druk kort op de instellingen knop totdat op het display 'E5' verschijnt.
- Gebruik de + en – toetsen om te wisselen tussen °C en °F.
- De geselecteerde temperatuureenheid begint te knipperen.
- Na drie seconden gaat het display uit.
- De geselecteerde temperatuureenheid wordt opgeslagen.

Fabrieksinstellingen herstellen

Volg de onderstaande procedure in geval van onregelmatigheden of herstel van de fabrieksinstellingen:

- Schakel de koelkast uit.
- Houd de instellingenknop vijf seconden lang ingedrukt totdat op het display 'E1' verschijnt.
- Houd de + en – knoppen tegelijkertijd samen gedurende drie seconden ingedrukt.
- Er klinkt een bevestigingstoon voor een succesvolle fabrieksreset.

9 Reiniging en onderhoud

De lade verwijderen

De lade kan uit de koelkast verwijderd worden:

- Trek de lade helemaal naar voren.
- Op de metalen geleiderails, duw de linker veerhaak omlaag en trek tegelijkertijd de rechter veerhaak omhoog.
- Verwijder de lade naar boven door er iets aan te trekken.
- Lijn de geleiderails aan beide zijden uit en duw de lade terug in de koelkast wanneer u de lade terugplaatst.

Reinigen

Maak de koelkast regelmatig schoon met een vochtige doek en laat vervolgens drogen.

- Zorg dat de koelkast is losgekoppeld van de stroomvoorziening voor het schoonmaken om elektrische schokken te voorkomen.
- Dompel het apparaat niet onder in water en reinig het niet onder stromend water.
- Gebruik geen harde voorwerpen of schurende reinigingsmiddelen, omdat deze het apparaat kunnen beschadigen.
- Controleer de luchtinlaat- en uitlaatopeningen regelmatig op stof of vuil dat de luchtstroom blokkeert.

Ontdooien

De koelkast moet van tijd tot tijd worden ontdooid. Door luchtvochtigheid kan er rijpvorming op de verdampers ontstaan en zal het koelvermogen van het apparaat afnemen.

- Zorg dat de koelkast is losgekoppeld van de stroomvoorziening voor het schoonmaken om elektrische schokken te voorkomen.
- Gebruik nooit scherpe voorwerpen om het apparaat te ontdooien, omdat deze het koelcircuit kunnen beschadigen.
- Gebruik geen mechanische voorwerpen of andere middelen die het ontdooiproces versnellen, aangezien deze het apparaat kunnen beschadigen.
- Verwijder het smeltwater (indien van toepassing door de aftapplug te verwijderen).
- Reinig met een vochtige doek en laat drogen.

Opbergen

Indien het apparaat voor langere tijd niet wordt gebruikt:

- Koppel de voedingskabel los en zorg ervoor dat het apparaat is uitgeschakeld.
- Laat het apparaat enige tijd ontdooien.
- Reinig en droog het apparaat.
- Om schimmel- en geurontwikkeling in het koelcompartiment te voorkomen, verwijdert u het deksel of laat u het open staan.

EN

DE

FR

NL

10 Verhelpen van storingen

Indien er tijdens het gebruik problemen ontstaan met de koelkast, raadpleeg dan onderstaande lijst. Als het probleem hiermee niet opgelost wordt, neem dan contact op met een dealer of ga naar www.hyckes.com.

Probleem	Mogelijke oorzaak of suggestie
Het apparaat werkt niet.	Controleer of de stroomkabel en stekkers correct zijn aangesloten. De voeding geeft geen spanning, probeer een ander stopcontact. Er is een zekering gesprongen, controleer en vervang de zekering.
Het apparaat kan niet worden bediend via de app.	Start de app opnieuw op je mobiele apparaat, of (her) verbind Bluetooth. Zie paragraaf 'app-verbinding'.
Er komt een borrelend of sissend geluid uit het koelvak.	Dit is een normaal verschijnsel dat wordt veroorzaakt door de stroming van koelmiddel.
De compressor maakt een beetje lawaai bij het starten.	Dit is een normaal verschijnsel, het geluid zal na enige tijd afnemen.
Op het display verschijnt een foutcode.	Controleer de onderstaande tabel.

Indien op het display een storingscode (Fx) verschijnt, vindt u in de volgende tabel de betekenis van deze storingscode en een mogelijke oorzaak en suggestie om de storing op te lossen.

Foutcode	Mogelijke oorzaak	Suggestie
F1	Lage ingangsspanning	Controleer de voeding of verander de accu-beschermingsmodus naar gemiddeld of laag.
F2	Koelventilator te hoge temperatuur	Schakel het apparaat 5 minuten uit en vervolgens weer aan. Neem contact op met een erkende dealer als het probleem aanhoudt.
F3	Compressor startte te vaak	Schakel het apparaat 5 minuten uit en vervolgens weer aan. Neem contact op met een erkende dealer als het probleem aanhoudt.
F4	Compressor start mislukt	Schakel het apparaat 5 minuten uit en vervolgens weer aan. Neem contact op met een erkende dealer als het probleem aanhoudt.
F5	Compressor te hoge temperatuur	Schakel het apparaat 5 minuten uit en vervolgens weer aan. Neem contact op met een erkende dealer als het probleem aanhoudt.
F6	Er kan geen parameter worden gedetecteerd	Schakel het apparaat 5 minuten uit en vervolgens weer aan. Neem contact op met een erkende dealer als het probleem aanhoudt.
F7 of F8	Temperatuursensor defect	Inspectie vereist. Neem voor onderhoud contact op met een erkend reparatiecentrum.

11 Garantie

Op dit apparaat is de wettelijk bepaalde garantietermijn van toepassing. Onder voorwaarde dat het product wordt gebruikt in overeenstemming met de instructies en het doel waarvoor het gemaakt is. Indien het product defect is, neem contact op met een dealer of het adres in deze handleiding.

Voeg het originele aankoopbewijs en de reden van de claim of beschrijving van het defect toe.

12 Technische gegevens

Onderstaande tabel toont alle technische gegevens van de HyCooler Slide.

Model	HyFridge Slide 20
Nominale spanning	12V/24V
Nominaal vermogen	60W
Inhoud	20.0L
Geluidsniveau	< 45 dB
Temperatuurbereik	-20~+20 °C / -4~+68 °F
Klimaat categorie	T/ST/N/SN
Afmetingen (HxBxD)	250 x 440 x 698mm
Netto gewicht	17.4kg

13 Recyclen



Dit product moet worden gedemonteerd in overeenstemming met de toepasselijke afvalverwerkingsvoorschriften, volgens de Europese richtlijn (2012/19/EU) om de impact op het milieu te minimaliseren. De materialen die in dit apparaat worden gebruikt, kunnen worden gerecycled. Dit draagt bij aan de bescherming van ons milieu.

Neem contact op met uw plaatselijke winkelier of autoriteiten voor meer informatie over het punt van afvalinzameling.

Conformiteitsverklaring

Dit product voldoet aan de eisen en andere relevante voorschriften die zijn vermeld in de Europese richtlijn voor Elektromagnetische compatibiliteit (2014/30/EU) en Laagspanning richtlijn (2014/35/EU). Neem contact op met het adres vermeld in deze handleiding voor een volledige conformiteitsverklaring van dit product.

hyckes.com



Hyckes B.V.
De Waal 49
5684 PH Best
The Netherlands
info@hyckes.com

HYCKES